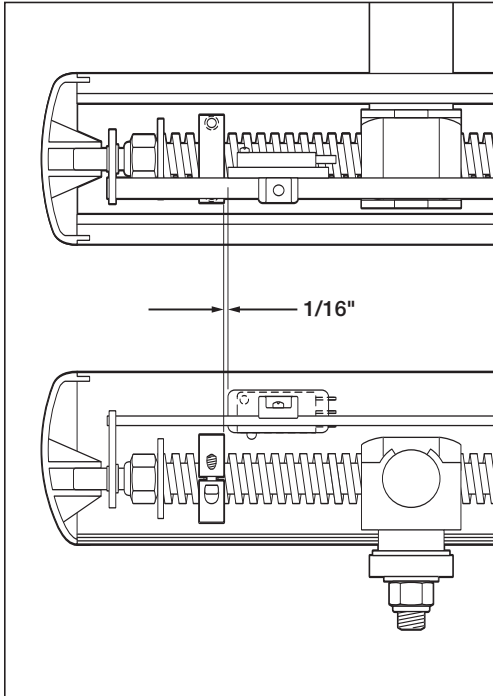
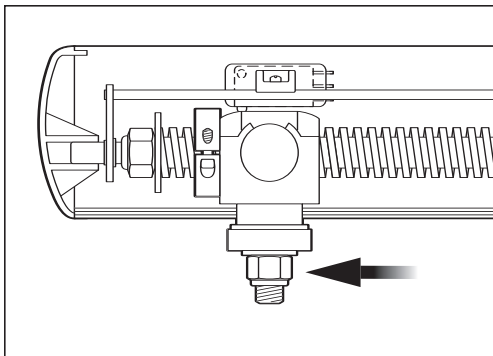


POSITIVE STOP INSTALLATION

For Viking G-5 Vehicular Gate Operators



With the Close Limit Switch properly adjusted and the gate partially open, install the Positive Stop Collar onto the shaft in the position shown. (There should be a 1/16" gap between the Collar and the Limit Switch Holder)



Close the gate and check that the gate stops at the intended place. If not, readjust the collar as necessary and recheck the position after opening and closing the gate.