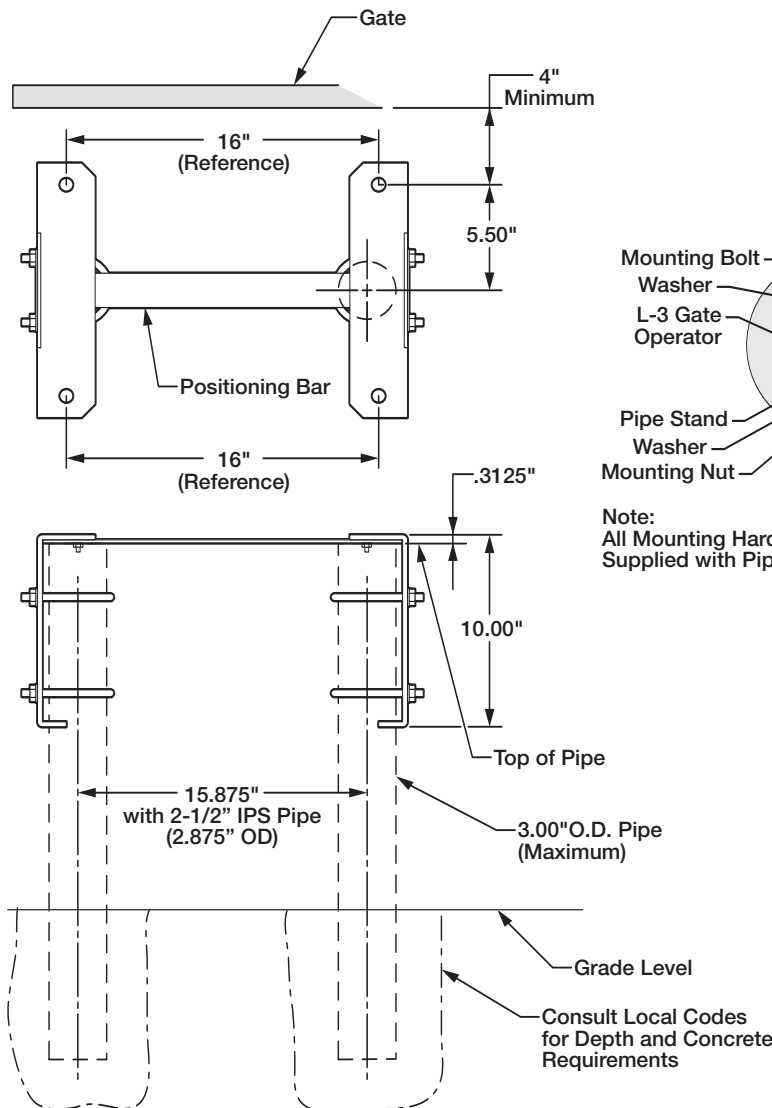


VIKING PIPE STAND *Part No. VA-PSKT*

For Viking L-3 Vehicular Gate Operator

Standard Features

- Main pieces made of 1/4" thick material
- Includes Positioning Bar to aid in the installation process
- All hardware included



L-3 Gate Operator
(sold separately)

Mounting Bolt
Washer
L-3 Gate Operator

Pipe Stand
Washer
Mounting Nut

Note:
All Mounting Hardware
Supplied with Pipe Stand

When installing the Pipe Stand Assembly be sure it is parallel to the gate and that both sides are positioned square to each other and level. For further details see the L-3 installation manual.



Corporate Headquarters
631 Wald, Irvine, CA 92618

ACCESS SYSTEMS™

TECHNICAL SUPPORT 1 800 908 0884